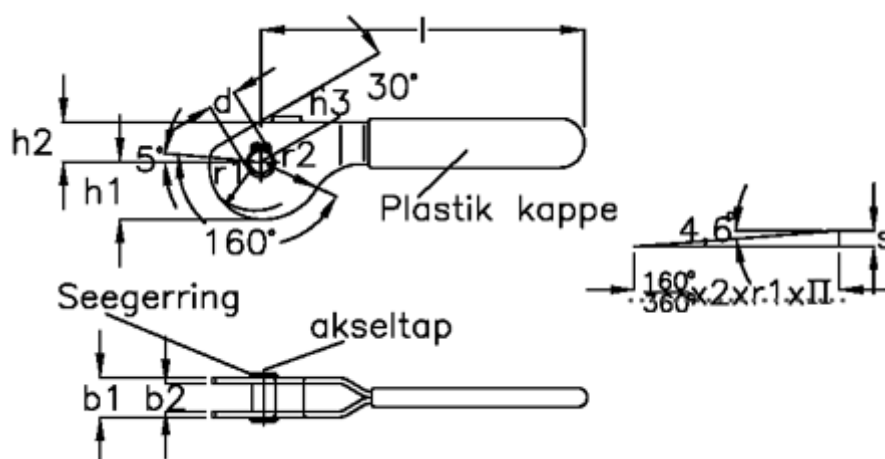


Article number: 20560046

Description: E+G Double cam lever  
GN 917-12-20

## Measures



$B1 = 20$	$r2 = 34.29$
$B2 = 14$	$r2-h3 = 16.29$
$d = 12$	$s = 6.29$
$H1 = 31.81$	
$H2 = 21$	
$H3 = 18$	
$L = 157$	
$r1 = 28.0$	